

Installation & Maintenance Instructions



Cordless

Getting Started

NOTE: Prior to installation, please make sure your hands are clean and free from any dirt or oil that could cause damage to the fabric.

Recommended Tools

- Measuring Tape
- Pencil
- Level
- Screwdriver
- Power drill (1/4" hex driver and drill bit)



You will need to use the following fasteners for your particular mounting surface.

Surface	Fastener
Wood	#8 1 1/4" Screws (Provide) #6 3/4" screws
Drywall/Plaster	Wall Anchors, Expansion Bolts (Not Provide)
Metal	Sheet Metal Screws (Not Provide)

Check Component / Hardware:



Installation Bracket



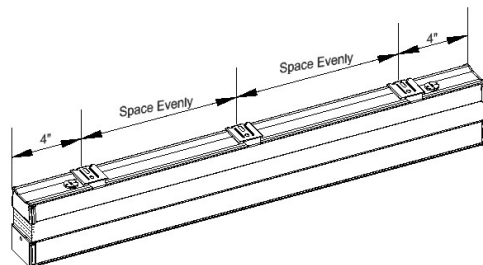
1 1/4" Screw

Hardware Standard Quantity

Order Width (X)	X < 27"	27" ≤ X ≤ 60"	X > 60"
Installation Bracket	2	3	4
1 1/4" Screw for Installation Bracket	4	6	8

Step 1: Bracket Installation

Use a level to ensure all brackets are in alignment. Proper alignment of brackets will make installation easier.

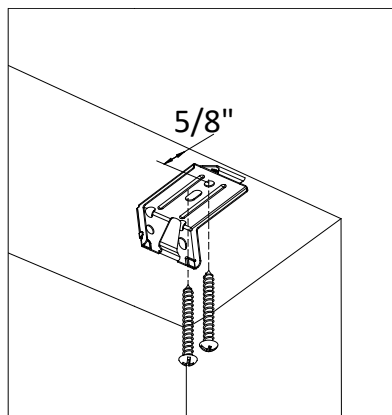


Measure 4" from both ends of the headrail and mark the bracket location on the mounting surface (applies to both inside and outside mount installation).

Inside Mount

For shade to operate properly when inside mounted, check to make sure there is enough depth clearance for the installation bracket and no obstructions.

If you would like your shade to be flush with the wall, the distance from the wall to center of 1st screw hole needs to be 5/8".

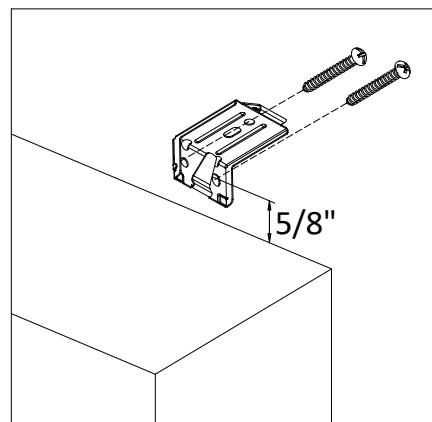


Outside Mount

Hold the bracket against the wall. Mark a line at every bracket location (shown on the picture).

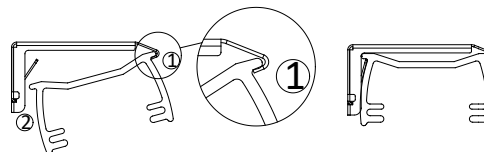
Make sure the lines are level with each other.

The min. distance from the wall to the center of screw hole needs to be 5/8".



Step 2. Install the Shade

Position head rail at an angle so that it is hooks into the front of the bracket. Then push upward to snap the head rail into the bracket.



Step 3. Operate the Shade

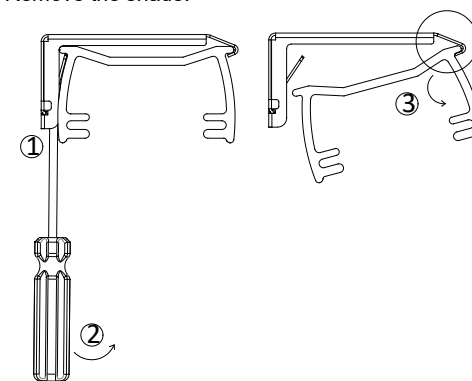
To lower the shade, gradually pull down on the bottom rail.

To raise the shade, gradually lift up on the bottom rail.



Shade Removal

Fully raise the shade that you want to remove. Gently pry the bracket off the head rail with a flat screwdriver as below picture. Remove the shade.



Cleaning the Shade

Routine cleaning will help maintain the beauty of your shade. The shade can be cleaned by using a soft brush, vacuumed with a low suction hand-held vacuum, cleaned ultrasonically (specify that a mild solution must be used and that the headrail should never be immersed in liquid). Spot cleaning is not recommended, but if necessary, dampen a clean cloth with a solution of warm water and mild detergent to dab the spot until it's gone (do not rub!).