

Installation & Maintenance Instructions

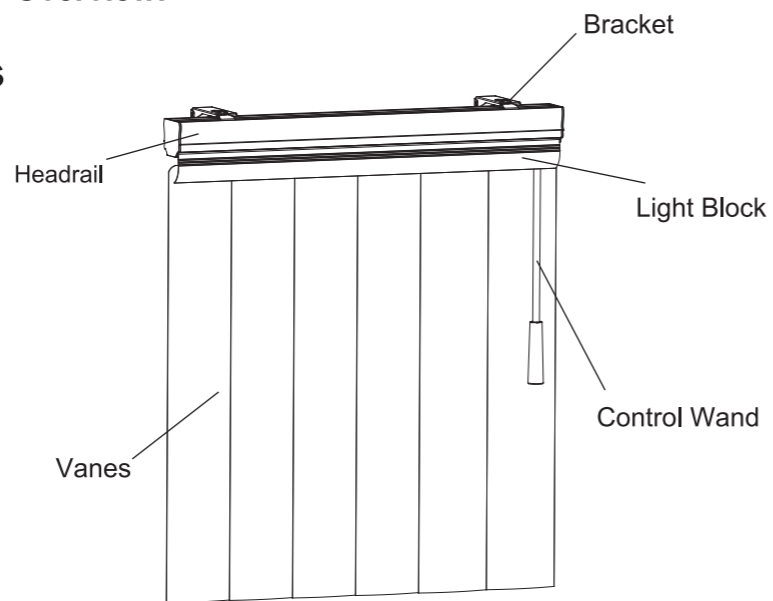
Thank you for purchasing this quality product. Please take a moment to review the following installation guide. Properly installed, your new product will provide you with years of beauty.

Recommended Tools:

- Measuring Tape
- Pencil
- Level
- Screwdriver
- Ladder
- Power Drill: 1/4" hex driver, 1/8" drill bit (Drywall), and 1/4" drill bit (Wall Anchors)


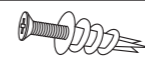



Overview:

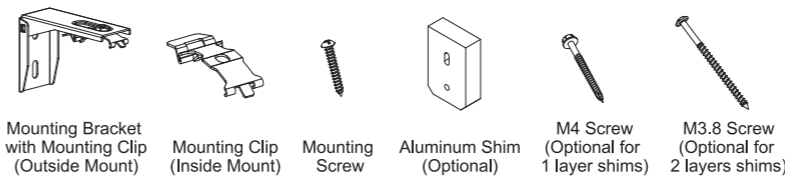


Check the components:

You will need to use the following fasteners for your particular mounting surfaces:

Mounting Surface	Fastener
Wood	1 1/4" Rounded Head Screw (Provided) 
Drywall / Plaster	Wall Anchors, Expansion Bolts (Not Provided) 
Metal	Sheet Metal Screws (Not Provided) 

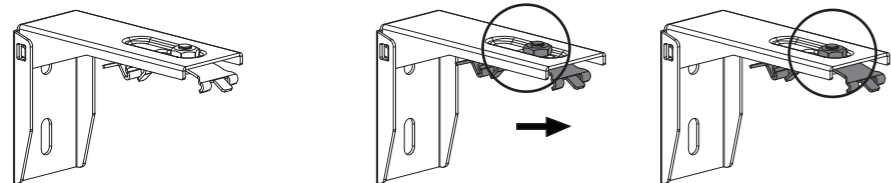
Ensure that your package contains all of the contents needed for proper installation.



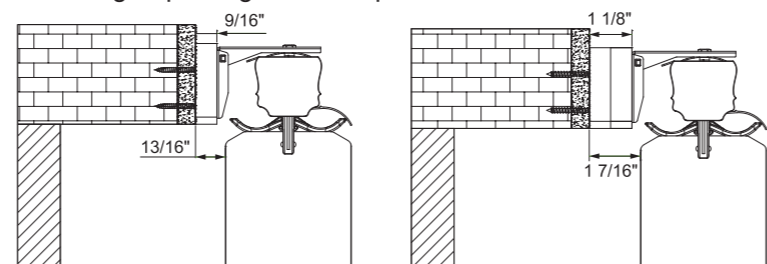
Blind Width	X ≤ 47 7/8"	47 7/8" < X ≤ 78"	78" < X ≤ 120"
Mounting Bracket with Mounting Clip (Outside Mount)	2	3	4
Mounting Clip (Inside Mount)	2	3	4
Mounting Screw (Outside Mount)	4	6	8
Mounting Screw (Inside Mount)	2	3	4
Shim (Optional for 1 layer)	2	3	4
Shim (Optional for 2 layers)	4	6	8
M4x48mm Outer Hexagonal Screw (Optional for 1 layer shims)	4	6	8
M3.8x63.5mm Round Head Screw (Optional for 2 layers shims)	4	6	8

For Outside Mount, please use the Mounting Bracket & Mounting Clip.

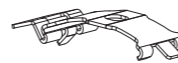
Please adjust the position of the mounting clip to the front, as shown in the drawing below, before installing as an Outside Mount.



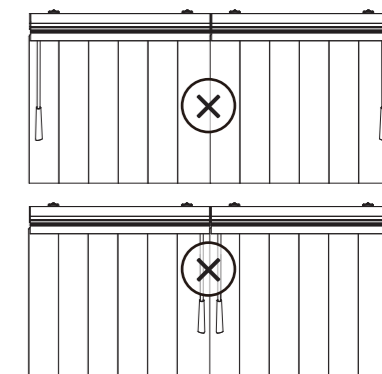
For Outside Mount with shim (Optional) Please use the Mounting Bracket & Mounting Clip along with the optional shims.



For Inside/Ceiling Mount, please use the Mounting Clip only.

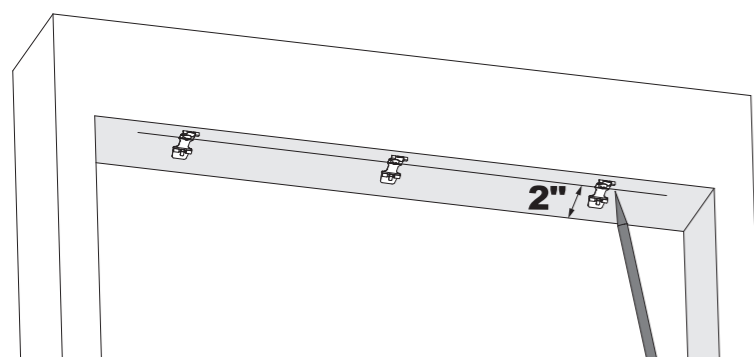


Side by Side: When butting two blinds together to reach the desired width, please install both blinds with the same wand orientation. For example, both blinds should be stacked left or right. Do not butt a stacked left and stacked right together to create a center opening as the meeting vanes will interfere with each other during operation.



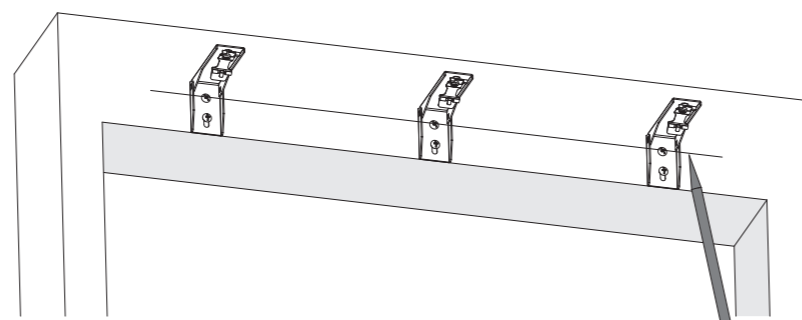
1: Position blind.

Allow 2" clearance to the center holes of the clips.



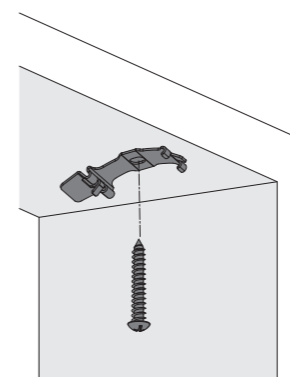
Inside/Ceiling Mount

Align the bottom of brackets with the top window frame.



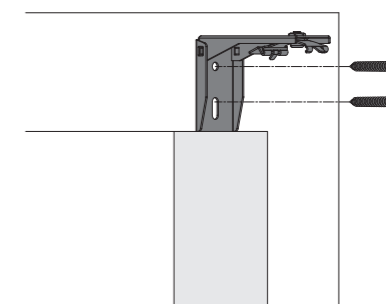
Outside Mount

2: Attach brackets to wall or window moulding.



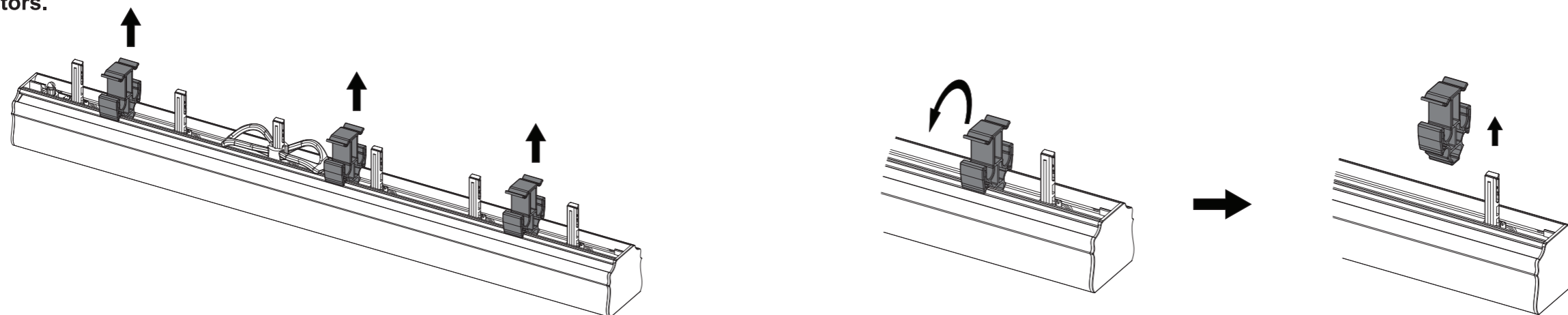
Inside/Ceiling Mount

*Anchor Screws
*Recommended but not included in package

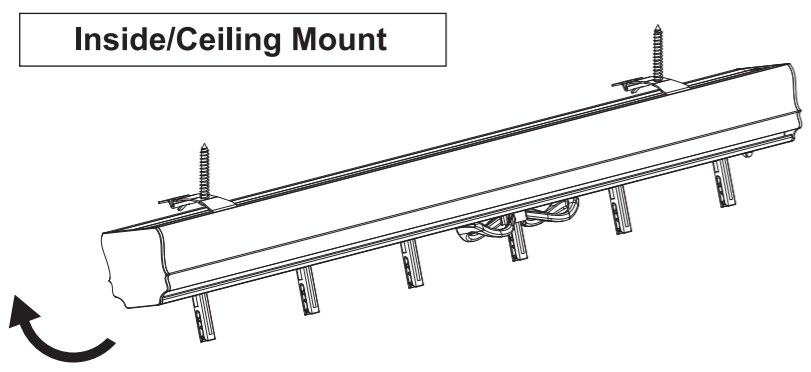


Outside Mount

3: Remove all protectors.

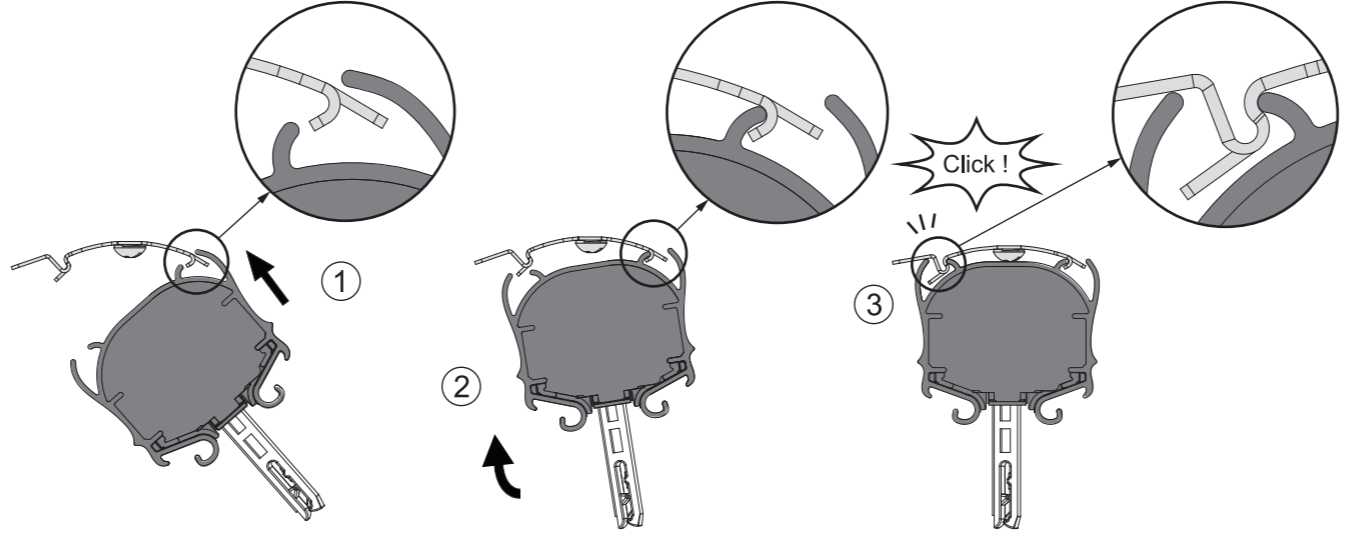


4: Attach track into brackets.

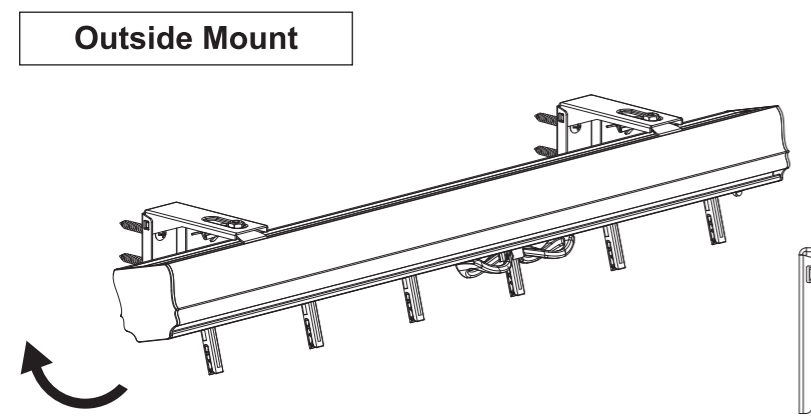
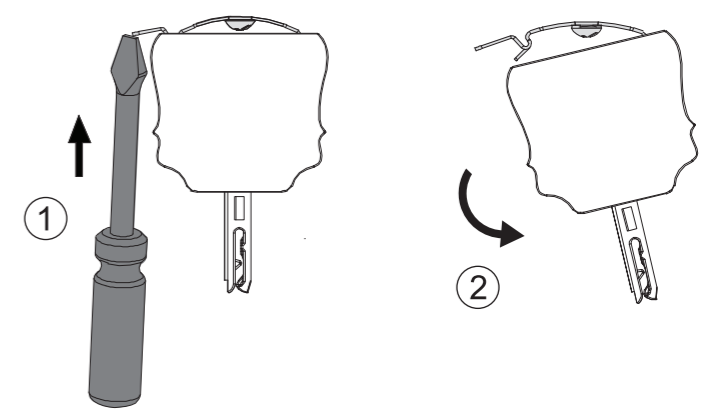


Inside/Ceiling Mount

All the tracks are reversible. The wand tilter position will determine how the blinds open. For example, Blinds will stack to the left when the wand tilter is located on the right.

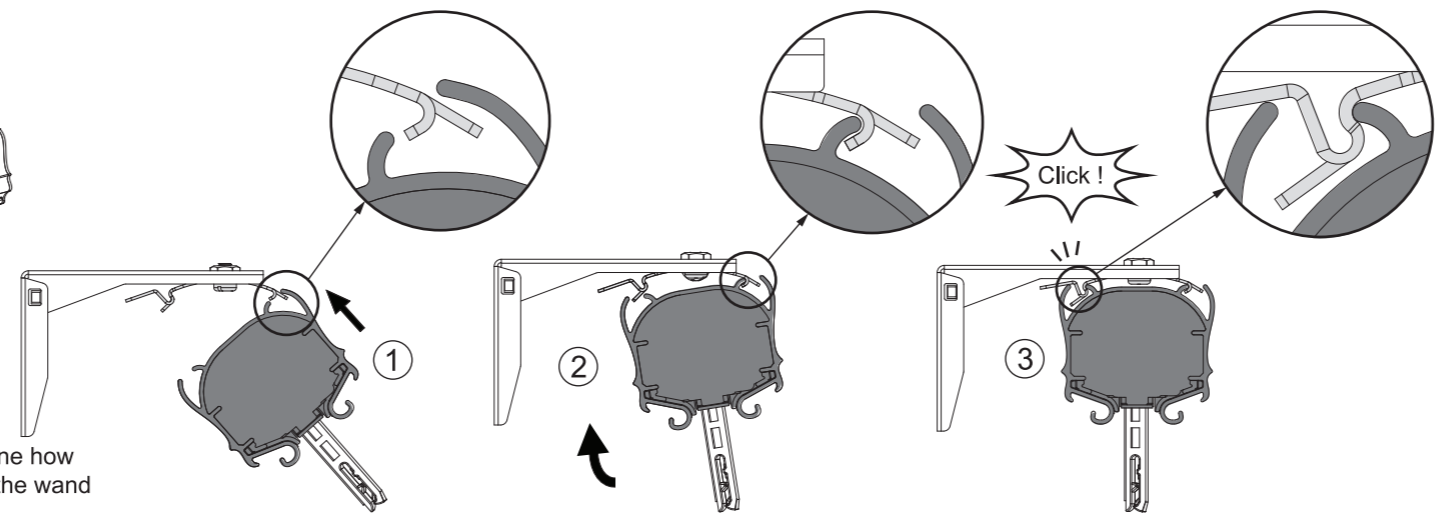


Dismount track from brackets.

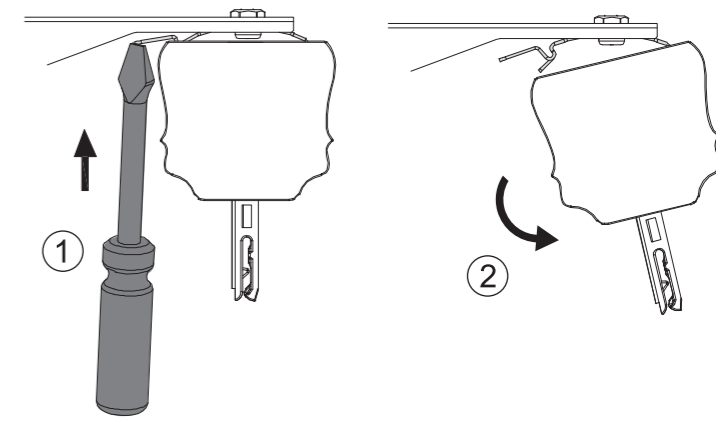


Outside Mount

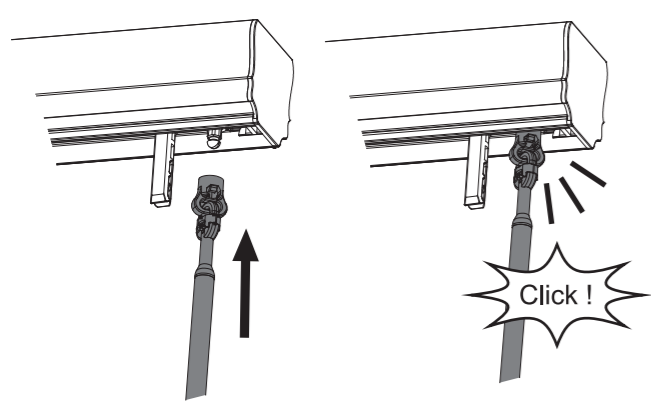
All the tracks are reversible. The wand tilter position will determine how the blinds open. For example, Blinds will stack to the left when the wand tilter is located on the right.



Dismount track from brackets.



5: Attach wand.

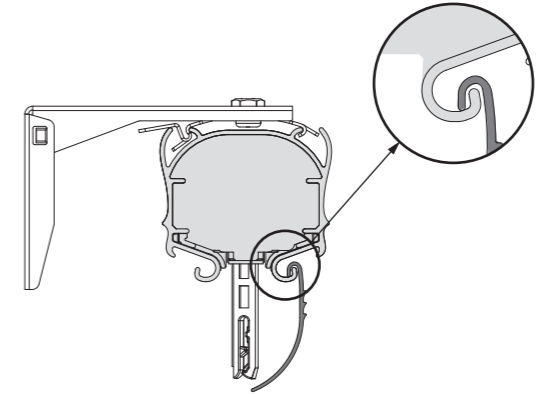
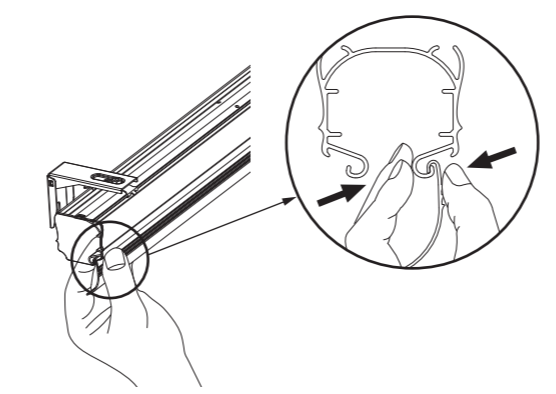
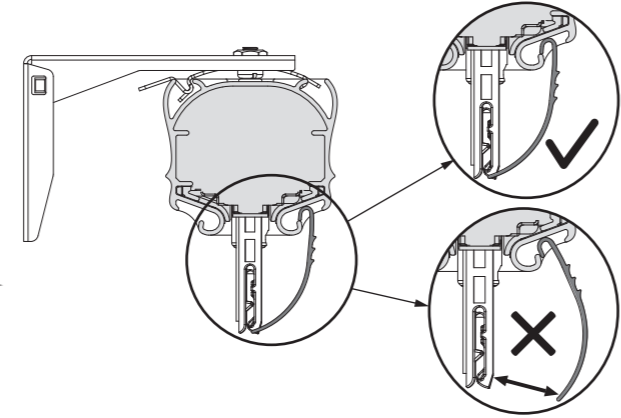


6: Attach the light block to track.

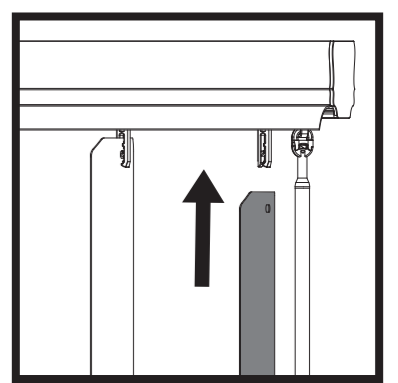
① Place the light block to the track groove.

② Press the light block into the track groove.

③ Finish the light block attachment.

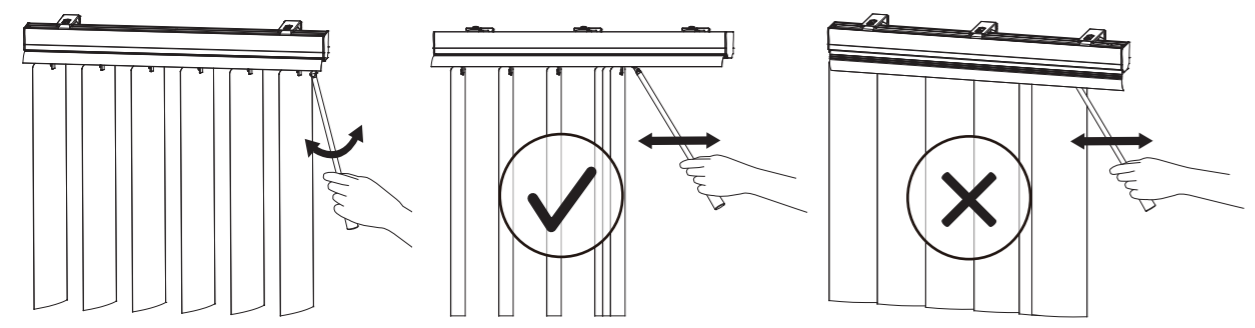


7: Insert vanes in open position with arch facing the wand tilter.



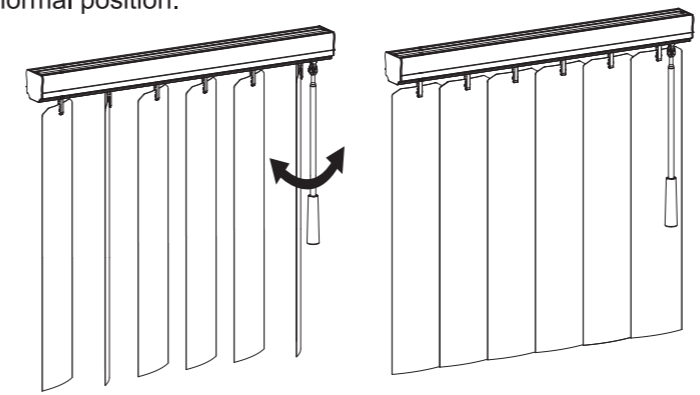
8: Operate your vertical blind.

Please note that the vanes should travel in an open position only.



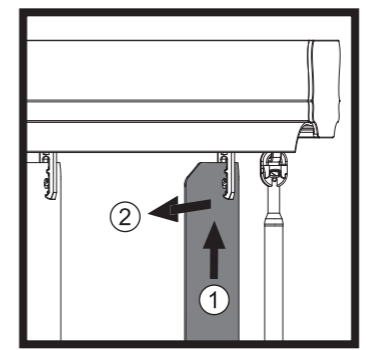
(Vanes) Auto-alignment Function.

If the vanes are out of sync, turn the wand completely clockwise then counterclockwise. The vanes will return to its normal position.



Remove your Vanes.

- ① Push up the vane to release from the vane clip.
- ② Pull the vane out of the vane clip.



Maintenance for your vertical blinds.

PVC vanes can be cleaned with a damp cloth.

