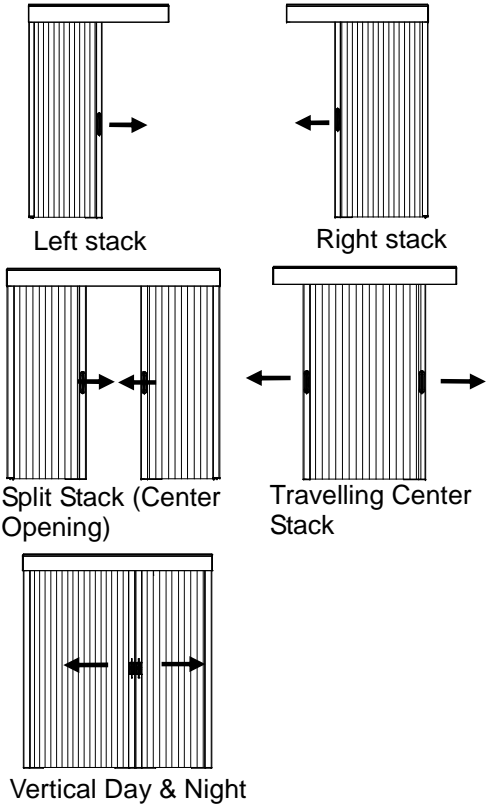


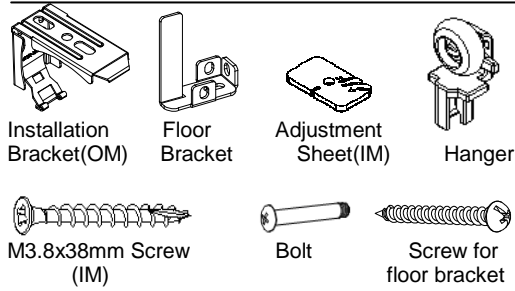
## Installation Instructions

### Honeycomb Shades

#### Patio Door Vertical & Vertical Day&Night



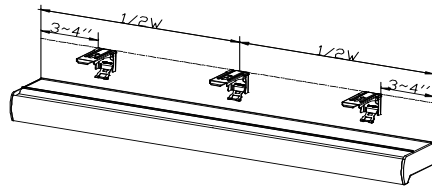
#### Check Component/Hardware:



#### Hardware Standard Quantity

Order Width (X)	X ≤ 39"	39" < X ≤ 66"	66" < X ≤ 93"	93" < X ≤ 120"	X > 120"
Installation Bracket	2	3	4	5	6
Floor Bracket	Right stack		1		
	Left stack		1		
	Travelling Center Stack		0		
	Split Stack(Center Opening)		2		
1 1/4" Screw for Bracket	installation bracket qty x 2 + floor bracket qty				
	2	3	4	5	6
M3.8 Screw & adjustment sheet	Right stack		1		
	Left stack		1		
Bolt	Travelling Center Stack		2		
	Split Stack(Center Opening)		2		
	Vertical Day & Night		2		
	Hanger		Same as clip qty		

Note: Optional flat head screws included. Use as needed.

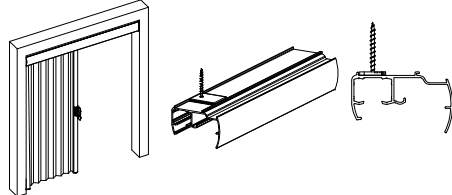


#### Step 1: Bracket Installation

Measure 3"~4" from both ends of the head rail. Mark the bracket location on the mounting surface, proper alignment of brackets will make installation easier.

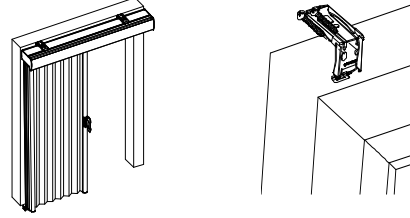
#### Inside Mount:

Screw the headrail onto the top of window frame with M3.8 screw along with the provided adjustment sheet. Use wall anchors for drywall or plaster wall.



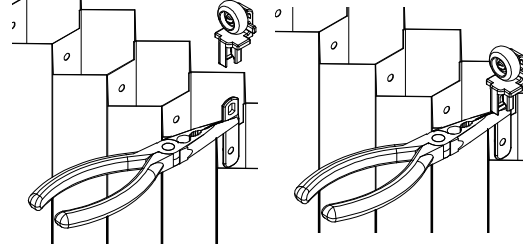
#### Outside Mount:

Position the top of bracket at order height +1/8". Use two 1 1/4" mounting screws to secure brackets. Use wall anchors for drywall or plaster wall.

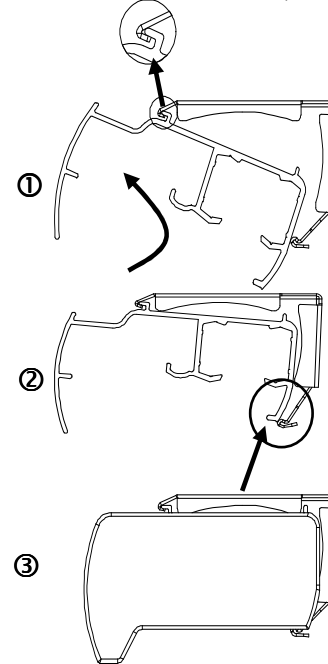


#### Step 2: Shade Installation

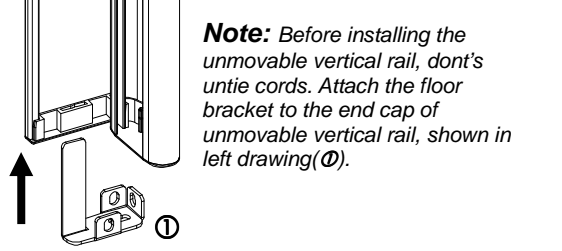
a. Assemble the clips (pre-attached on the blanket) into hangers(find in hardware box) by using pliers as below photo. For convenient operation, reverse the shade when open the package and face to the back of blanket.



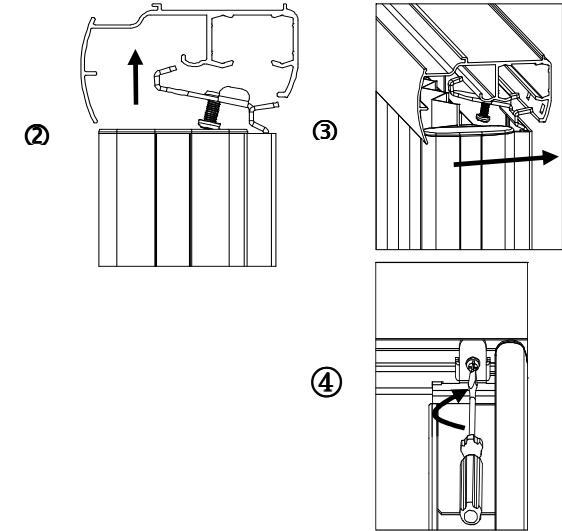
b. Position head rail at an angle so that it is hooked to the front of the bracket. Then push it upward to snap into the bracket as shown below.(for OB only)



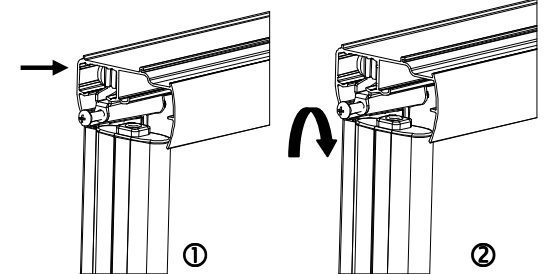
c. Install unmovable vertical rail  
Push the unmovable vertical rail from down to up as below drawing ②. And then, push the fixing hanger into the gap of headrail as drawing ③. Locking the fixing hanger bolt tightly.



**Note:** Before installing the unmovable vertical rail, don't untie cords. Attach the floor bracket to the end cap of unmovable vertical rail, shown in left drawing(④).



d. Install movable vertical rail  
Align the hanger shaft hole with the sliding supporting shaft hole, and insert the bolt into the shaft hole completely(①). Screw the bolt tightly clockwise(②).



#### Getting Started

Remove the shade from the package. Save the packaging until the shade is installed and working to your satisfaction.

#### Tools Needed :

- Power drill and drill bit
- Measuring tape
- Screwdriver
- Level
- Pencil
- Pliers

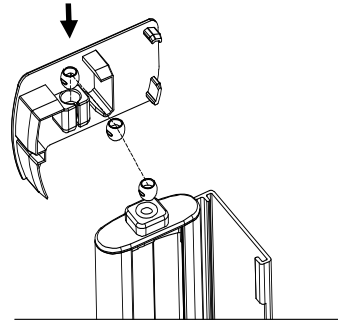


You will need to use the following fasteners for your particular mounting surface.

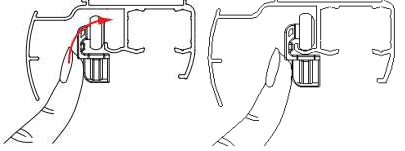
Surface	Fastener
Wood	1 1/4" Screws (Provide)
Drywall/Plaster	Wall Anchors, Expansion Bolts (Not Provide)
Metal	Sheet Metal Screws (Not Provide)

e. Untie the cords. Put the buckle bead into groove of headrail end cap on the moving rail side (make sure the bead buckle from groove top down) as drawing.

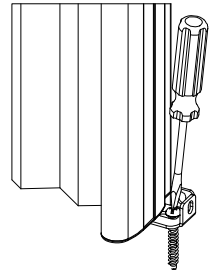
Notes: 1. For Left Stack, Split Stack (Center Opening) left shade and Day & Night left shade, put the buckle bead into groove of right headrail end cap.  
 2. For Right Stack, Split Stack (Center Opening) right shade and Day & Night right shade, put the buckle bead into groove of left headrail end cap.  
 3. For Travelling Center Stack, put the buckle bead from right moving rail into groove of right head rail end cap; put the buckle bead from left moving rail into groove of left head rail end cap.



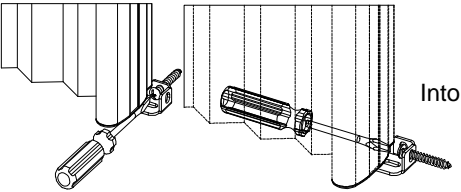
f. Press hangers into headrail from shade front



g. Attach the screw of Floor Bracket into the floor or wall shown below. Floor Bracket has been pre-attached to the end cap of unmovable vertical rail

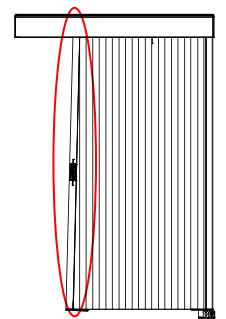


Into the Floor

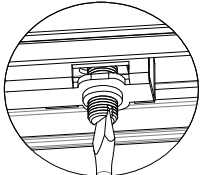
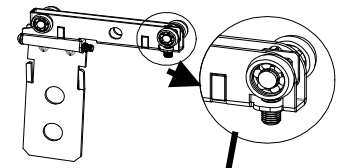
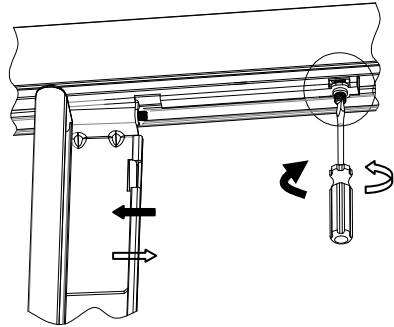


Into the Wall

h. If the vertical rail is not perpendicular to the floor, adjustment is necessary.

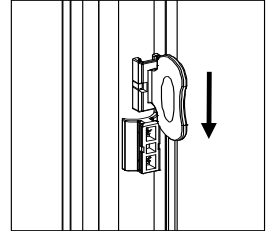


Not perpendicular



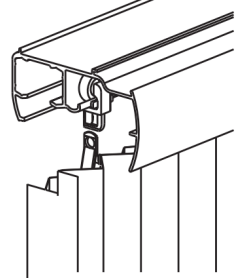
**Step 3: How to Install Shade Handle**

Slide the handle onto the plastic piece pre-attached to the rails.

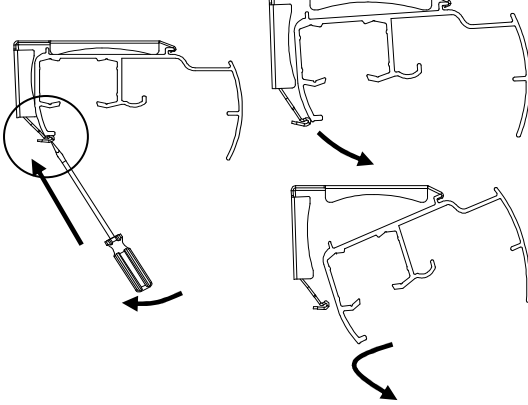


**Step 4: Remove the shade**

Please use the reverse steps of installing vertical rail and shade to remove the vertical rail and shade.  
 Note: Separate clips from hangers as below drawing, the hangers leave on headrail.



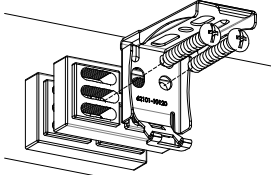
Gently pry the bracket off the head rail with a flat screwdriver as below drawing.



**Installation of spacer block (for OB)**

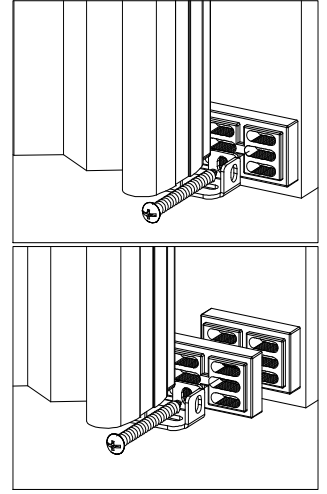
**For installation bracket:** Install the spacer block (1pc or 2pcs) at the backside of the installation bracket as below pictures.

Extend up to 3/8" for 1pc spacer block. Extend up to 11/16" for 2pcs spacer block.



**For floor bracket:** Install the spacer block (1pc or 2pcs) at the backside of the Floor bracket as below pictures.

Extend up to 3/8" for 1pc spacer block. Extend up to 11/16" for 2pcs spacer block.



**⚠️ Spacer block will be provided only when customer request.**

**Troubleshooting**

Problem	Solution
When the cord is loose, adjustment is necessary. a. Remove the buckle bead from the headrail end cap. b. Remove the cord knot from the buckle, readjust the cord length and tie a knot. Put back the buckle bead into the headrail end cap. Do not over tight.	

