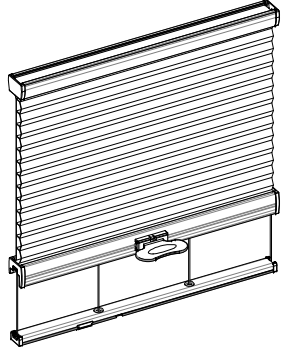


N300758-1
65101-10251-A

Installation Instructions

Honeycomb Shades

ClearFit™ for Skylights



Getting Started



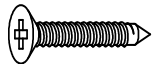
Remove the shade from the package. Save the packaging until the shade is installed and working to your satisfaction.

Tools Needed :

- Power drill and drill bit
- Measuring tape
- Screwdriver
- Level
- Pencil
- Steel wire regulator (Provided)



You will need to use the following fasteners for your particular mounting surface.

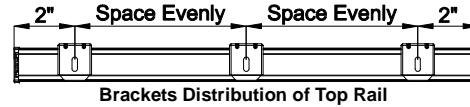
Surface	Fastener
Wood	1 1/4" Screws (Provided) 
Drywall/Plaster	Wall Anchors, Expansion Bolts (Not Provided) 
Metal	Sheet Metal Screws (Not Provided) 

Hardware Standard Quantity

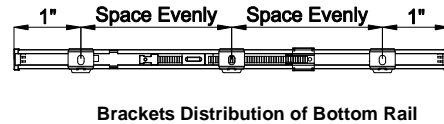
Order width (X)	X < 31 3/4"	31 3/4" ≤ X < 45 9/16"	45 9/16" ≤ X ≤ 59"
H/R Bracket	2	3	4
B/R Bracket	3	3	4
L-Shape Supporting Bracket Set (OB only)	3	3	4
Handle	1		
M3 x 3.6mm Screw for L-Shape Supporting Bracket Set	3	3	4
Regulator	1		
M3.5x25mm screw	6	6	8
1 1/4" Screw (For OB)	4	6	8
1 1/4" Screw (For IB)	4	6	8

Bracket Installation

Top Rail: Install bracket on each end of the top rail. When there are more than two brackets, the distance between brackets should be equal.



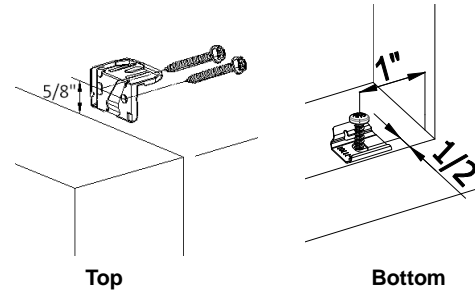
Bottom Rail: Two brackets on each end. If there are five brackets, the fifth bracket should be positioned in the middle of the rail.



Inside Mount


The distance between top rail bracket screw hole to the front of the frame should be at least 5/8" from the wall. As for bottom rail, min. of 1/2" from bracket screw hole to the front of the frame and 1" from the wall. **Mount H/R brackets with 1 1/4" screws and B/R brackets with M3.5x25mm screws** aligned horizontally. Use wall anchors for drywall or plaster wall.

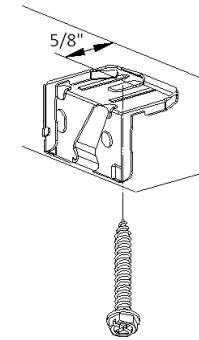
 **Do not over tighten the screw.**



Outside Mount

Min. distance between top rail bracket screw hole to the top edge of the frame **should be at least 5/8"** to the shade edge. Mount brackets with **1pcs of 1 1/4" screw** aligned horizontally.

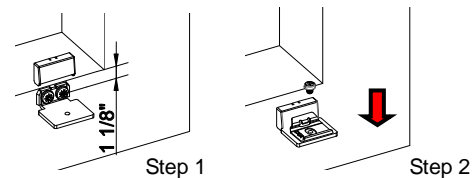
 **Do not over tighten the screw.**



The distance between bottom rail L bracket screw hole to the bottom edge of the frame should be at least 1 1/8" and 1" from the shade edge.


Mount L brackets with 2pcs M3.5x25mm screw. Cover the brackets and secure with M3x3.6 screw.

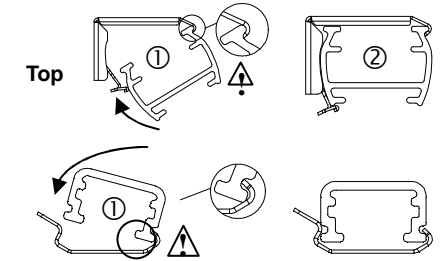
 **Do not over tighten the screw.**



Install the Shade

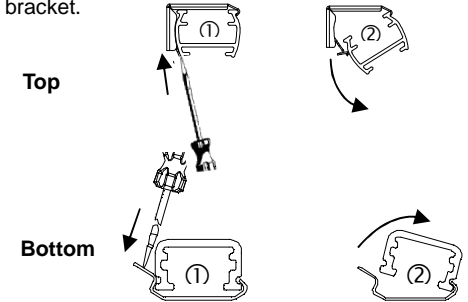
- Position the shade so that the front is facing you.
- Insert the rail with an angle facing the window; hook from the bracket front and push upward to snap it in.

 For proper installation, start with attaching the front rail to the bracket



Remove the Shade

Fully raise the shade. Insert screwdriver into the gap between the back of the rail and the bracket. Gently maneuver the screwdriver toward yourself to pry the bracket.



Handle Installation

Slide the handle onto the plastic piece that is pre-attached to the rails.

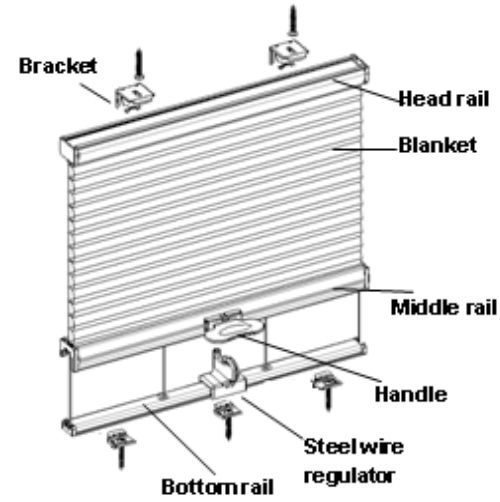
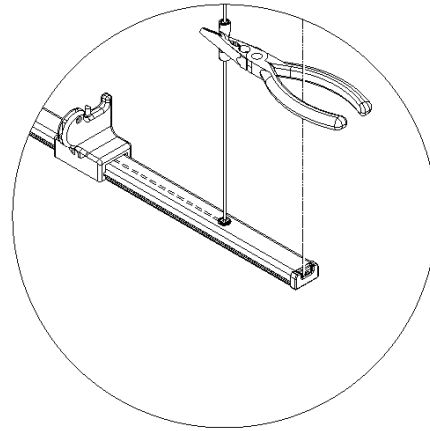
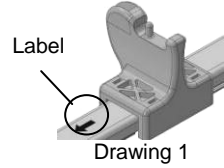


Adjust the Steel Wire

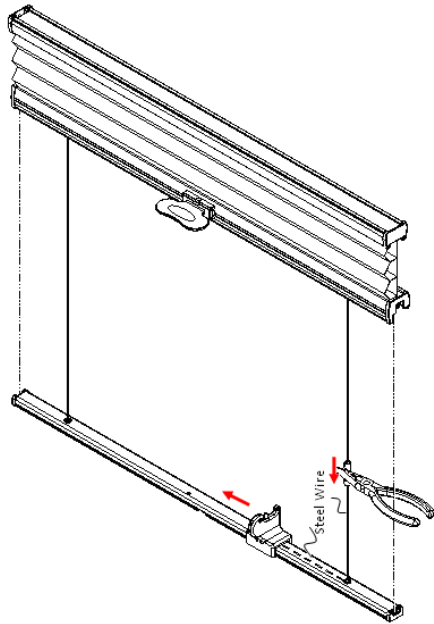
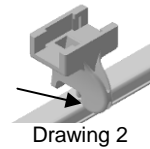
After the installation, tighten the steel wire by sliding the regulator towards the direction as shown on label in Drawing 1.

For easier tightening the steel wire, it is suggested to use a pliers to pull the steel wire towards the bottom rail, and then adjust the regulator pin to tighten the steel wire.

⚠ Put a cloth between the pliers and steel wire in case the steel wire breaks.



To loosen the steel wire, place the regulator pin on the bottom rail and press down-as shown in Drawing 2.



Cleaning

Routine cleaning will help maintain the beauty of your shade. The shade can be cleaned by using a soft brush, vacuumed with a low suction hand-held vacuum, cleaned ultrasonically (specify that a mild solution must be used and that the head rail should never be immersed in liquid), or dampen a clean cloth with a warm water and mild detergent solution to dab the spot until it's gone (do not rub!).